

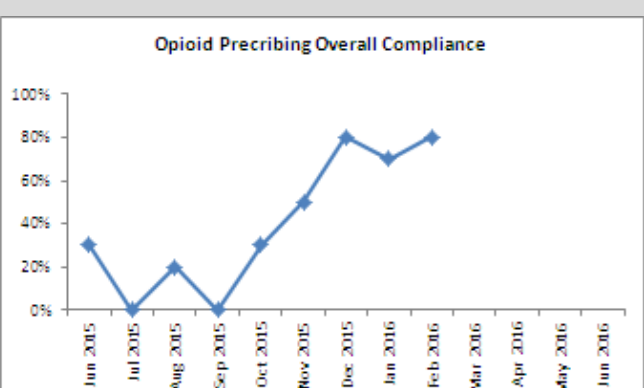
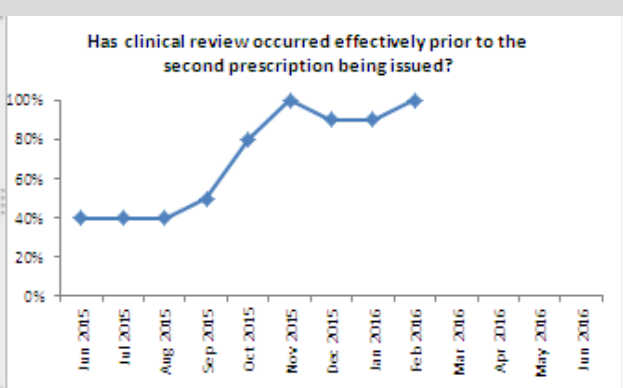
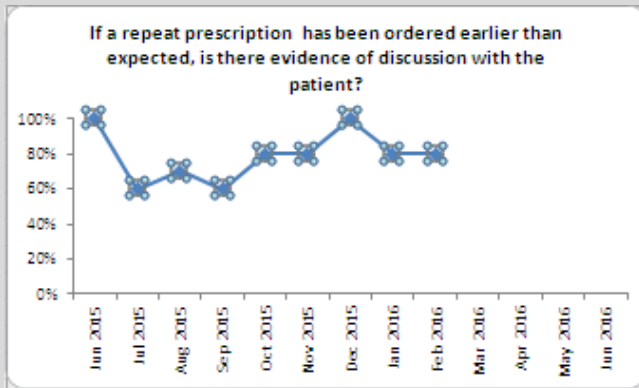
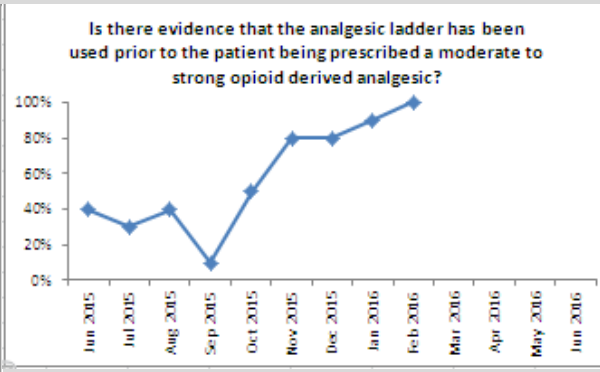
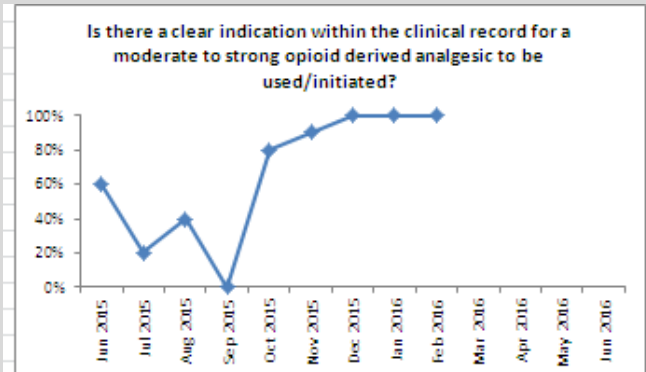
# Learning Session 3

## Health New Lynn Opioids

Team members: *Peter Woolford,  
Ann Davis, Sarah Mildon*

PHO and Facilitator: Procure  
Nicki Brentnall and Andrew Jones

# Measures Summary



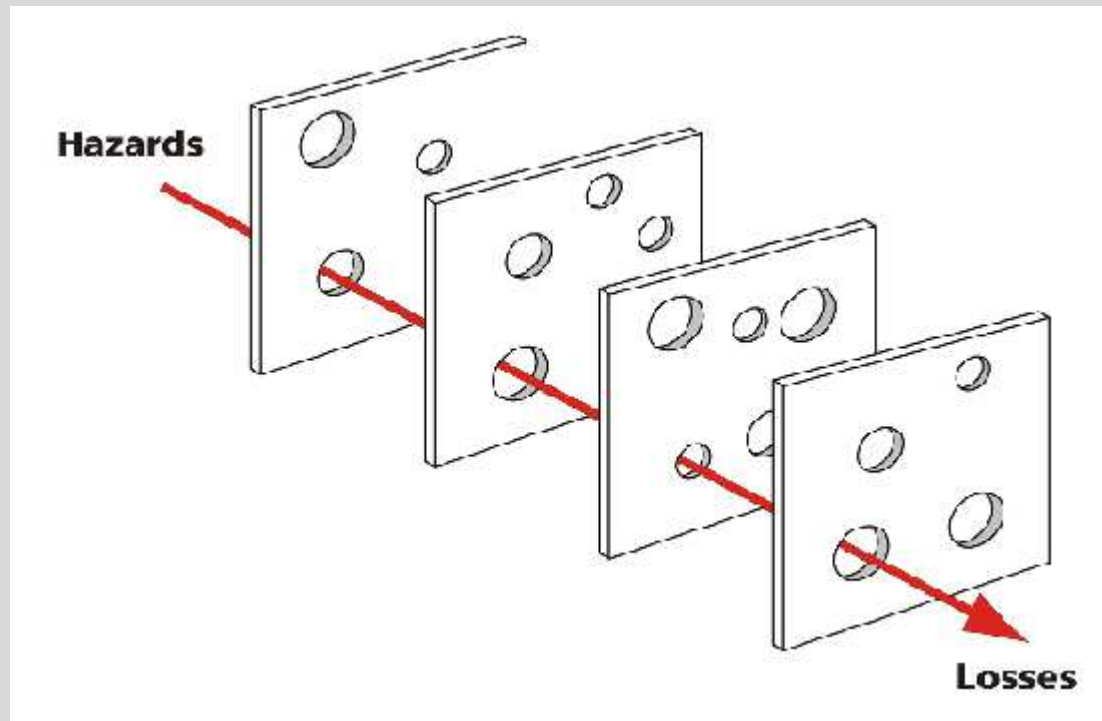
# Change Package

	Change Tested	Outcome / Evidence of Improvement
1	Patients regularly ringing for repeat prescription, with no clear guidelines for nurses.	Only patients who rang for repeat had clear instruction about dosage and frequency and length of time
2	Doctors have documented evidence of the reason for prescribing	Large majority of patients had clear documentation
3	Number of Controlled script recorded in the PMS	Policy developed to record Controlled script number in the PMS. Currently being implemented

# Trigger Tool / Climate Survey

## Trigger Tool

Currently in the progress



# Highlights and Lowlights

- The audits and PDSA cycles have shown that the practice currently has a good process to manage patients on Opioids.